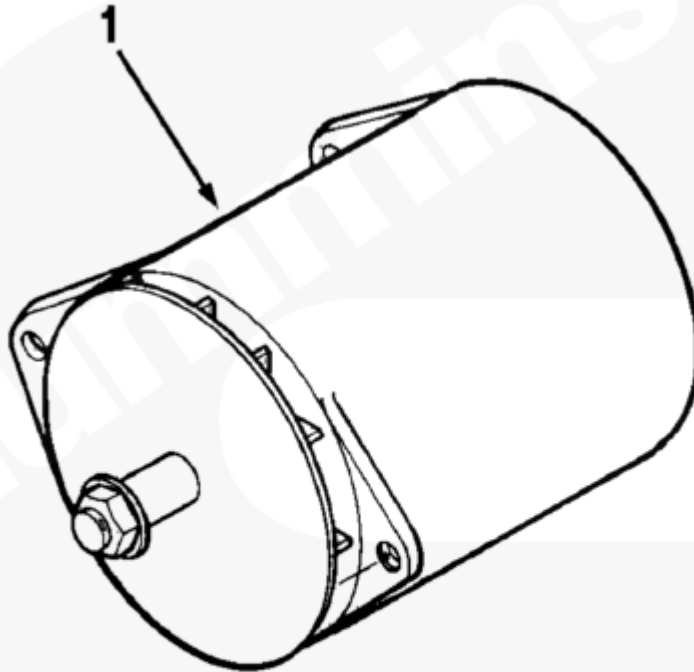




Parts Catalog - Option Detail

Electronic Parts Catalog - Option Detail				
Option	Group	Graphic	Film Card	Date
EE8071	13.02	ea100gb	F	15-JAN-88
Engines	NH/NT 855, NT495, NT743, NTA855 N106			

©Cummins Inc



ea100gb

[SMALL](#) | [MEDIUM](#) | [LARGE](#)

Cart	Ref No	Part Number	Part Description	Required	Remarks
View My Cart					
		EE8071	Alternator		24volt 60amp Delco-Remy 30 SI...(More)
					450 alternator with built-in
					voltage regulator. Marine
					corrosion resistant. For use

					with insulated return system.
<input type="checkbox"/>	1	3000347	Alternator	1	

© 2019 Cummins Inc., Box 3005, Columbus, IN 47202-3005 U.S.A.
 Terms of Use and Disclaimers | Recommended System Requirements
 Need Assistance? Please click on the Contact Us button in the top right corner of any page.